



INSTRUCTIONS

-J01208

REV. 1-17-01

Kit Numbers: 67017-94C and see below

REPLACEMENT 5 in. ELECTRONIC SPEEDOMETER KITS

General

These speedometer replacement kits are for FLHR/I, Softail and FXDWG models with the following calibrations:

Kit number	Year and Calibration
67017-94C	1994 FLHR, Japan/Canada (Kilo)
67027-96C	1996-1998 Softail, Domestic (Mile)
67030-96C	1996-1998 Softail, HDI (Kilo)
67033-94C	1994 FLHR, Domestic (Mile)
67033-95D	1995-1998 FLHR, Domestic (Mile)
67178-95C	1995-FXDWG, Domestic (Mile)
67178-96C	1996-1998 FXDWG, Domestic (Mile)
67179-95C	1995-1998 FXDWG, HDI (Kilo)
67196-94D	1994-1998 FLHR, Great Britain (Dual)
67197-94D	1994-1998 FLHR, HDI (Kilo)
67255-95C	1995 FXDWG, Japan/Canada (Kilo)
67256-95C	1995-1998 FXDWG, Great Britain (Dual)
67276-94C	1994-FLHR, Swiss (Kilo)
67282-96C	1996-1998 Softail, Great Britain (Dual)
67301-95C	1995 FXDWG, Swiss (Kilo)

See Service Parts lists for kit contents.

Removing Old Speedometer

NOTE

Locate and follow procedure in this Instruction Sheet that applies to motorcycle requiring speedometer replacement.

WARNING

To protect against shock and accidental start-up of vehicle, disconnect the battery cables, negative cable first, before proceeding. Inadequate safety precautions could result in death or serious injury.

WARNING

Always disconnect the negative battery cable first. If the positive battery cable should contact ground with the negative cable installed, the resulting sparks may cause a battery explosion which could result in death or serious injury.

FLHR/I (1994-1996 Models) Removing Speedometer

1. Remove the instrument console acorn nut and mounting screw (with flat washer). Lift the console from the fuel tank. Turn the console over and lay it on a shop towel placed on gas tank.
2. See Figure 1 and 2. Cut all leads connected to speedometer as close to speedometer as possible; except reset switch leads. A new switch with wires connected to speedometer connector is provided.

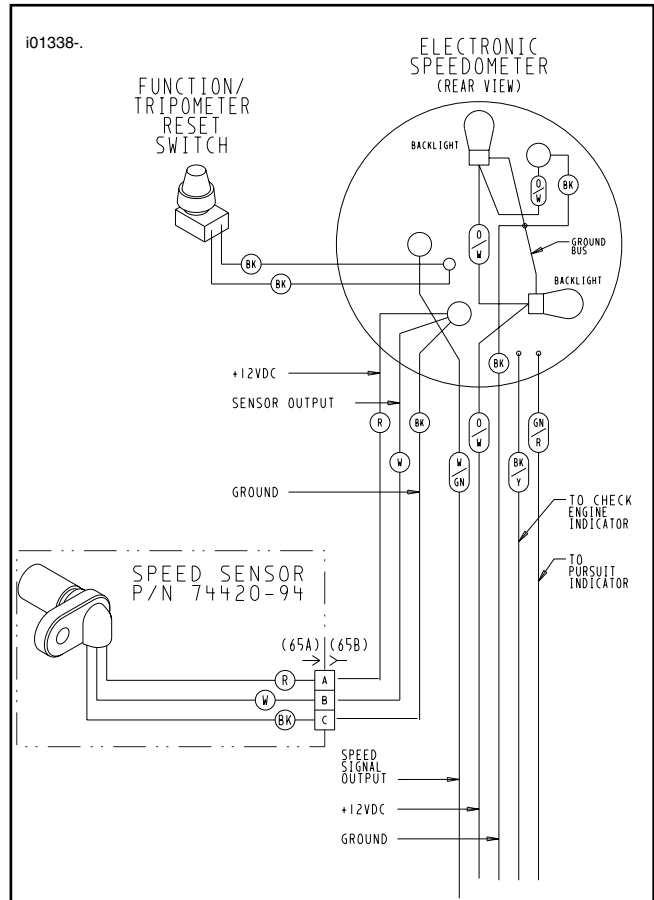


Figure 1. Cutting Wires At Old Speedometer

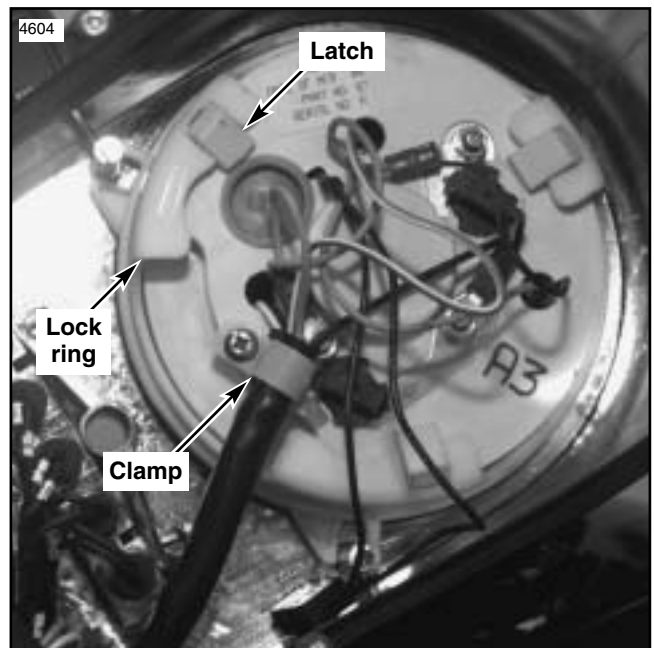


Figure 2. Old Speedometer

3. Unscrew reset knob and pull harness from clamp (remove screw if necessary).
 4. Gently pry the three latches upward to release the lock ring from back of speedometer. Lift console, remove old speedometer from top side of console. Discard old speedometer and lock ring.
 5. Retain rubber gasket for use with new speedo.
 6. Continue at "Installing Deutsch Mini Terminals". **Connector [20] does not need to be replaced on these models.**
3. Unscrew reset knob and pull harness from clamp (remove screw if necessary).
 4. Gently pry the three latches upward to release the lock ring from back of speedometer. Lift console, remove old speedometer from top side of console. Discard old speedometer and lock ring.
 5. Retain rubber gasket for use with new speedo.
 6. Continue at "Installing Deutsch Mini Terminals". After terminals have been installed, replace connector [20] following instruction given in "Replacing Connector [20]".

FLHR/I (1997 & 1998 Models) Removing Speedo

1. Perform steps 1-5 given for 1994-1996 FLHR/I on previous page.
2. See Figure 3. Remove left side cover and locate connector [20].
3. Continue at "Installing Deutsch Mini Terminals". After terminals have been installed, replace connector [20] following instructions given in "Replacing Connector [20]".

NOTE

On FLHR/I 1997 & 1998 models, connector [20] must be replaced.

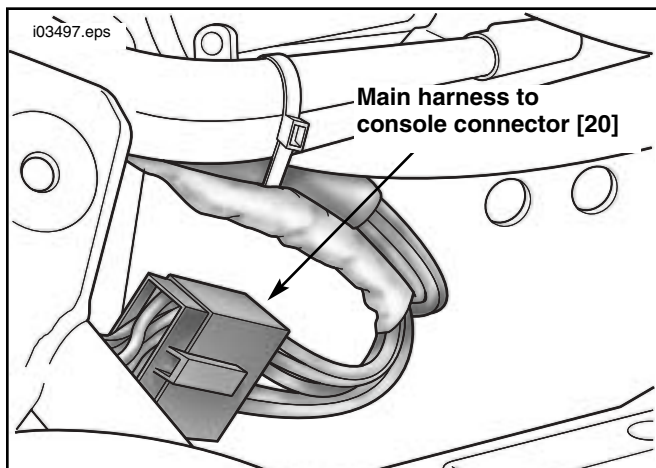


Figure 3. Replacing Connector [20] FLHR/I 1997-98

FXDWG (1995-1998 Models) Removing Speedo

1. Remove instrument console nut and lift console from tank. Disconnect 12-place (or 14 place on 1998 models) harness connector [20] under console. Remove terminals from ignition switch, making note of wire locations. Remove console from fuel tank.
2. See Figure 1 and 2. Cut all leads connected to speedometer as close to speedometer as possible; except reset switch leads. A new switch with wires connected to speedometer connector is provided.

SOFTAILS (1996-1998 Models) Removing Speedometer

1. Remove instrument console nut and lift console from tank. Disconnect connectors [20] and ignition switch connector [33] under console. Remove console from fuel tank.
2. See Figure 1 and 2. Cut all leads connected to speedometer as close to speedometer as possible; except reset switch leads. A new switch with wires connected to speedometer connector is provided.
3. Unscrew reset knob and pull harness from clamp (remove screw if necessary).
4. Gently pry the three latches upward to release the lock ring from back of speedometer. Lift console, remove old speedometer from top side of console. Discard old speedometer and lock ring.
5. Retain rubber gasket for use with new speedo.
6. Continue at "Installing Deutsch Mini Terminals". After terminals have been installed, replace connector [20] following instruction given in "Replacing Connector [20]".

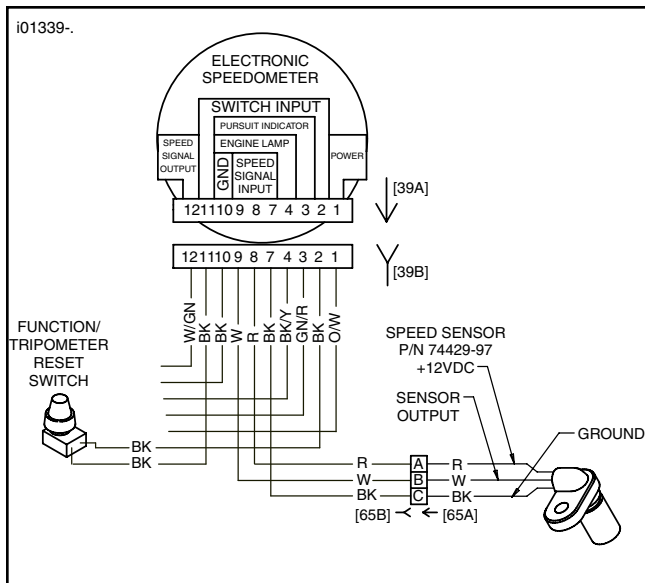


Figure 4. Wires At New Speedo.

Installing Deutsch Mini Terminals.

1. See FLT Service Manual "Deutsch Solid Barrel Contact Crimping Instructions" and follow instructions to terminate the wires cut when speedo was removed.

CAUTION

In the following step, make certain ground wire from speed sensor is inserted in cavity (7) of connector [39B]. Do not mix with speedo ground connected at cavity (10).

2. See Figure 4. Insert terminals into connector half [39B] as shown.

NOTE

On FLHR/I 1994 - 1996 models, go to "Installation and Final Check". On all other models, continue at "Replacing Connector [20]."

Replacing Connector [20]

NOTE

Connector [20] is located as follows:

FLHR/I - behind left side cover

FXDWG and Softails - under console

1. Cut wires from main harness (pin connector half [20A]) as close to connector housing as possible.

NOTE

The 1998 FLHR/I and FXDWG models have a 14 place connector [20]. Cavities (13 & 14) are not used on FXDWG models. On FLHR/I models switch the check engine light lead, BK/Y, from cavity (14) in old connector [20] to cavity (7) in new connector [20] as shown in Figure 5.

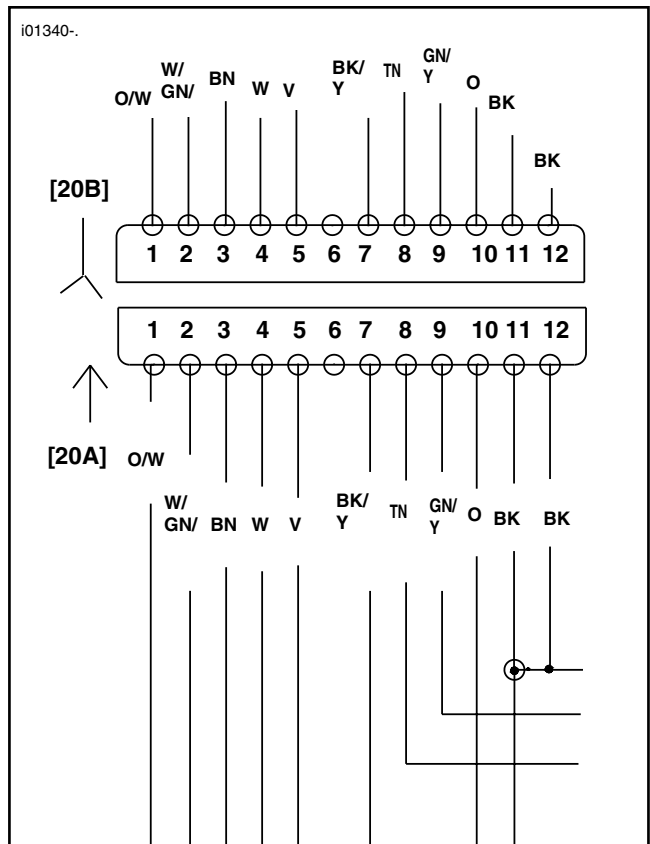


Figure 5. Wiring Connector [20].

2. See FLT Service Manual "Deutsch Solid Barrel Contact Crimping Instructions" and follow instructions to terminate the wires cut in step 1.
3. See Figure 5. Insert terminals into connector half [20A] as shown.

CAUTION

To avoid miswiring the indicator lamp wires in the socket half of the connector in the following step, cut each wire separately, strip wire, install new socket terminal and insert terminal in same position that it was in old socket half. On FLHR/I models switch the check engine light lead, BK/Y, from cavity (14) in old connector [20] to cavity (7) in new connector [20] as shown in Figure 5.

4. See Figure 5. Insert socket terminals into connector half [20B] as shown.

Installation and Final Check

All Models

Apply window cleaning fluid to speedo gasket to aid assembly.

FLHR/I (1994-1996 Models)

1. Place the gasket into position around the console speedometer bore.
2. Fit the speedometer into the bore so that it fits snugly against the rubber gasket.
3. Turn the console over. Place the lock ring over the back of the speedometer aligning the two slots with the console bosses. Press the latches down until they lock into position.
4. Insert the function/reset switch through the hole in the left side of the console and screw on the rubber button.
5. See Figure 4. Check that new connector [39B] is wired as shown in Figure 4. Plug connector [39B] into speedometer.
6. Turn the console over and center the assembly on the fuel tank. Install the acorn nut and console mounting screw (with flat washer).

WARNING

Always connect the positive battery cable first. If the positive cable should contact ground with the negative cable installed, the resulting sparks may cause a battery explosion which could result in death or serious injury.

7. Connect battery cables, positive cable first.
8. Check speedometer for proper operation and clear diagnostic codes following instructions at end of this Instruction Sheet.

FLHR/I (1997 & 1998 Models)

1. Perform steps 1 through 6 from previous "FLHR/I - 1994 - 1996" procedure.
2. See Figure 5. Check that new connector [20] is wired as shown in Figure 5. Insert seal pins in any cavities not being used.
3. Plug connector [20] halves together and install left side cover.

WARNING

Always connect the positive battery cable first. If the positive cable should contact ground with the negative cable installed, the resulting sparks may cause a battery explosion which could result in death or serious injury.

4. Connect battery cables, positive cable first.
5. Check speedometer and indicators for proper operation and clear diagnostic codes following instructions at end of this Instruction Sheet.

FXDWG (1995 1998 Models) SOFTAILS (1996 1998 Models)

1. Place the gasket into position around the console speedometer bore.
2. Fit the speedometer into the bore so that it fits snugly against the rubber gasket.

3. Turn the console over. Place the lock ring over the back of the speedometer aligning the two slots with the console bosses. Press the latches down until they lock into position.
4. Insert the function/reset switch through the hole in the left side of the console and screw on the rubber button.
5. See Figure 4. Check that new connector [39B] is wired as shown in Figure 4. Plug connector [39B] into speedo.
6. See Figure 5. Check that new connector [20] is wired as shown in Figure 5. Insert seal pins in any cavities not being used.
7. Plug connector [20] halves together. On FXDWG, install ignition switch terminals in original locations. On Softail models, install connector [33] to ignition switch.
8. Turn the console over and center the assembly on the fuel tank. Install the acorn nut.

WARNING

Always connect the positive battery cable first. If the positive cable should contact ground with the negative cable installed, the resulting sparks may cause a battery explosion which could result in death or serious injury.

9. Connect battery cables, positive cable first.
10. Check speedometer and indicators for proper operation and clear diagnostic codes following instructions at end of this Instruction Sheet.

Clearing Diagnostic Codes

The diagnostic mode is entered by turning the ignition from OFF to ON while holding the reset switch in. The normal power-up sequence will occur before entering the diagnostic mode. Diagnostic codes set during this power-up sequence will be stored as well.

When in the diagnostic mode the odometer will display the first diagnostic code. When the trip switch is pressed again the next code will be shown. If the trip switch is pressed for more than 5 seconds at any time while in the diagnostic mode, the diagnostic code displayed will be cleared.

1. Turn the ignition from OFF to ON while holding the reset switch in.
2. The code "d01Clr" will be displayed.
3. Press button again and do not release button "d02SEt" will be displayed. Hold button in until "d02CLr" is displayed. This indicates code has been cleared.

The diagnostic mode is exited either by turning ignition from ON to OFF to ON again without depressing the reset switch or if a speed signal greater than 5 MPH is detected.

For diagnostic procedures, refer to the applicable Service Manual.

NOTE

A Service Manual for your model vehicle is available from your local Harley-Davidson dealer.



Service Parts

Part No. 67017-94C & others

Date 1/01

Replacement Speedometers

Kit Number 67017-94C

Qty.	Description	Part No.
1	Calibrated speedometer	67017-99A
1	Speedo. back clamp (lock ring)	67271-99
1	Speedometer harness kit <i>67440-99-Speedometer harness kit contents</i>	67440-99
1	Reset switch assembly	67425-98
1	Boot, reset switch	67880-94
1	Socket housing, 12 way DTM	74119-98BK
1	Socket lock	74159-98
6	Socket terminal, solid	74193-98
4	Seal pins	74195-98

Kit Number 67027-96C

Qty.	Description	Part No.
1	Calibrated speedometer	67027-99A
1	Speedo. back clamp (lock ring)	67271-99
1	Speedometer harness kit <i>67418-99-Speedometer harness kit contents</i>	67418-99
1	Reset switch assembly	67425-98
1	Boot, reset switch	67880-94
1	Pin housing, 12 way DTM	74109-98BK
1	Socket housing, 12 way DTM	74119-98BK
1	Pin lock	74149-98
1	Socket lock	74159-98
12	Pin terminal, solid	74192-98
20	Socket terminal, solid	74193-98
8	Seal pins	74195-98

Kit Number 67030-96C

Qty.	Description	Part No.
1	Calibrated speedometer	67030-99A
1	Speedo. back clamp (lock ring)	67271-99
1	Speedometer harness kit <i>See above for 67418-99 kit contents</i>	67418-99

Kit Number 67033-94C

Qty.	Description	Part No.
1	Calibrated speedometer	68910-99A
1	Speedo. back clamp (lock ring)	67271-99
1	Speedometer harness kit <i>See above for 67440-99 kit contents</i>	67440-99

Kit Number 67033-95D

Qty.	Description	Part No.
1	Calibrated speedometer	67033-99A
1	Speedo. back clamp (lock ring)	67271-99
1	Speedometer harness kit <i>See above for 67418-99 kit contents</i>	67418-99

Kit Number 67178-95C

Qty.	Description	Part No.
1	Calibrated speedometer	68911-99A
1	Speedo. back clamp (lock ring)	67271-99
1	Speedometer harness kit <i>See above for 67418-99 kit contents</i>	67418-99

Kit Number 67178-96C

Qty.	Description	Part No.
1	Calibrated speedometer	67178-99A
1	Speedo. back clamp (lock ring)	67271-99
1	Speedometer harness kit <i>See above for 67418-99 kit contents</i>	67418-99

Kit Number 67179-95C

Qty.	Description	Part No.
1	Calibrated speedometer	68179-99A
1	Speedo. back clamp (lock ring)	67271-99
1	Speedometer harness kit <i>See above for 67418-99 kit contents</i>	67418-99

Kit Number 67196-94D

Qty.	Description	Part No.
1	Calibrated speedometer	67196-99A
1	Speedo. back clamp (lock ring)	67271-99
1	Speedometer harness kit <i>See above for 67418-99 kit contents</i>	67418-99

Kit Number 67197-94D

Qty.	Description	Part No.
1	Calibrated speedometer	67197-99A
1	Speedo. back clamp (lock ring)	67271-99
1	Speedometer harness kit <i>See above for 67418-99 kit contents</i>	67418-99

Kit Number 67255-95C

Qty.	Description	Part No.
1	Calibrated speedometer	67255-99A
1	Speedo. back clamp (lock ring)	67271-99
1	Speedometer harness kit <i>See above for 67418-99 kit contents</i>	67418-99

Kit Number 67256-95C

Qty.	Description	Part No.
1	Calibrated speedometer	67256-99A
1	Speedo. back clamp (lock ring)	67271-99
1	Speedometer harness kit <i>See above for 67418-99 kit contents</i>	67418-99

Kit Number 67276-94C

Qty.	Description	Part No.
1	Calibrated speedometer	67276-99A
1	Speedo. back clamp (lock ring)	67271-99
1	Speedometer harness kit <i>See above for 67440-99 kit contents</i>	67440-99

Kit Number 67282-96C

Qty.	Description	Part No.
1	Calibrated speedometer	67282-99A
1	Speedo. back clamp (lock ring)	67271-99
1	Speedometer harness kit <i>See above for 67418-99 kit contents</i>	67418-99



Service Parts

Part No. 67301-95B

Date 1/01

Replacement Speedometers

Kit Number 67301-95C

Qty.	Description	Part No.
1	Calibrated speedometer	67301-99A
1	Speedo. back clamp (lock ring)	67271-99
1	Speedometer harness kit	67418-99
	<i>67418-99-Speedometer harness kit contents</i>	
1	Reset switch assembly	67425-98
1	Boot, reset switch	67880-94
1	Pin housing, 12 way DTM	74109-98BK
1	Socket housing, 12 way DTM	74119-98BK
1	Pin lock	74149-98
1	Socket lock	74159-98
12	Pin terminal, solid	74192-98
20	Socket terminal, solid	74193-98
8	Seal pins	74195-98